



CORDING TAPING COILING LAYING

W-HEAD

The embroidery head allrounder





OPERATING MODES

Standard Embroidery

In addition to effect embroidery, the W-head also offers the option of standard embroidery with a single colour.

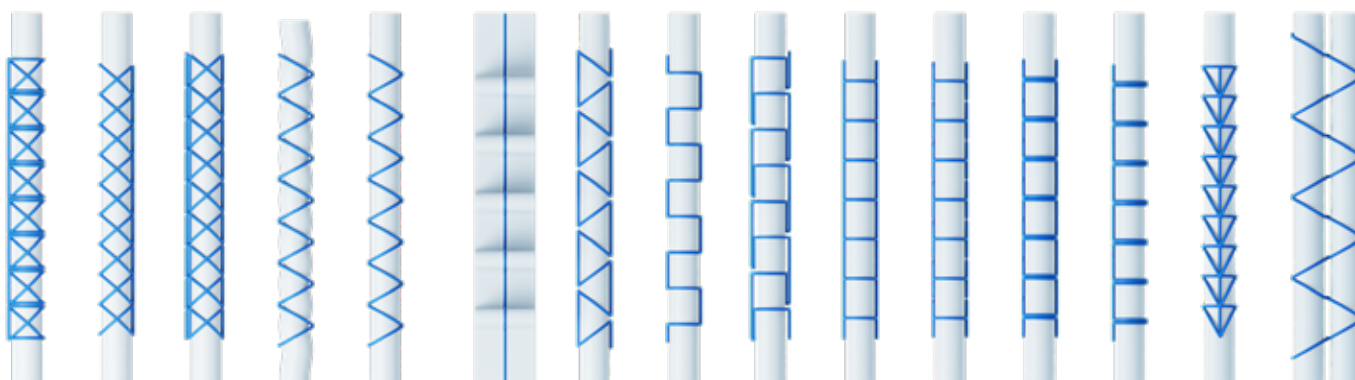
16 Designs in Zig Zag Mode



Zig Zag Pattern

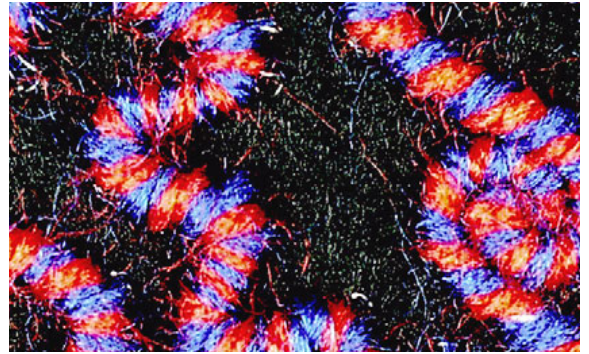
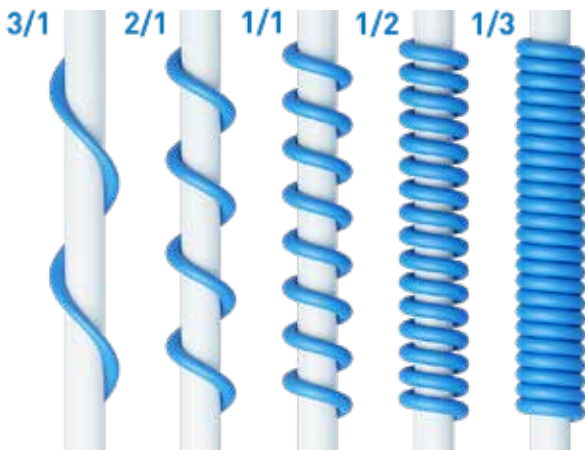
In addition to the stitch pattern for high volume taping and frill embroidery, the combination of the EPS software, the T8 control unit and the W-head, there are 14 other zig zag designs available to the user.

Parameters allow the user to adapt these designs to the supplied media, for example by adjusting the pantograph stroke.



Coiling

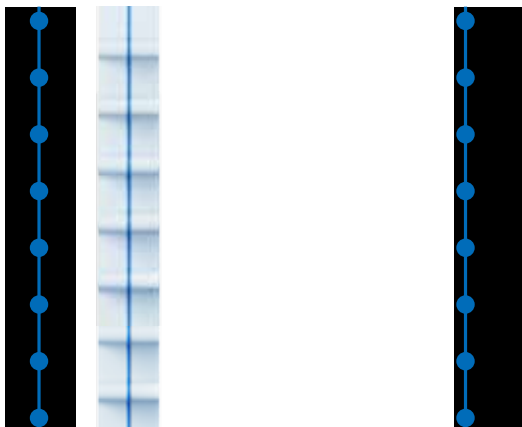
ZSK offers the customer the possibility to set the number of windings per stitch as a parameter. Between one winding every three stitches (3/1) up to three windings per stitch (1/3).



Frill Embroidery | Sideways Embroidery

For three-dimensional effects, the tapes can be attached to the side or frilled.

To enable these procedures a frilling device and a sideways stitch adapter are available.



EFFICIENCY

Fast Tape Laying

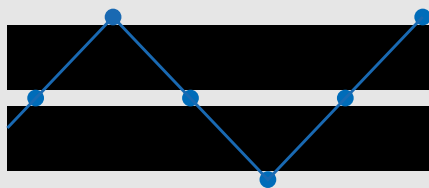
With this patented technology, the tapes are laid at high speed without stitches.

This method can be used in any angle but the tapes need to be laid in a straight line.

This technology is based on the know how from technical embroidery for the laying of fibers.



Standard Technology
for laying one tape



HV-Taping Method for laying
multiple tapes

200%
increase in volume

High Volume - Taping

Together with our partner Nobrak SAS, ZSK has developed the parallel placement of two or more tapes.

This patented process doubles the placement volume of tapes, drastically increasing productivity for mass production.

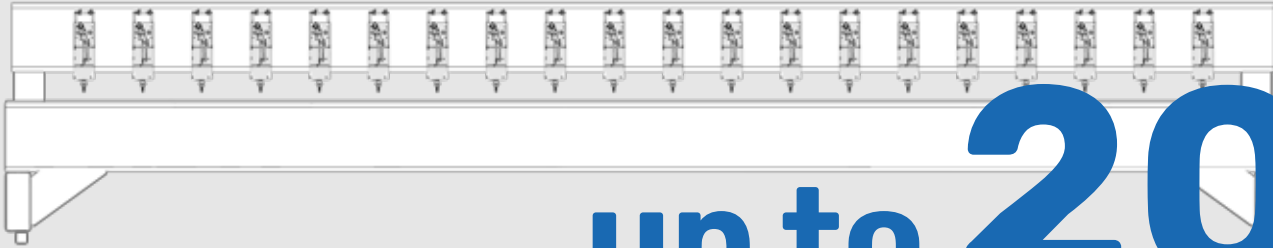


12%
increase in up-time

Automatic bobbin changer

The automatic bobbin changer has a magazine for 8 bobbins.

In the T8-2 control unit you can set marker when bobbin changes should take place automatically. This setup increases the up-time of the machine by approx. 12%.

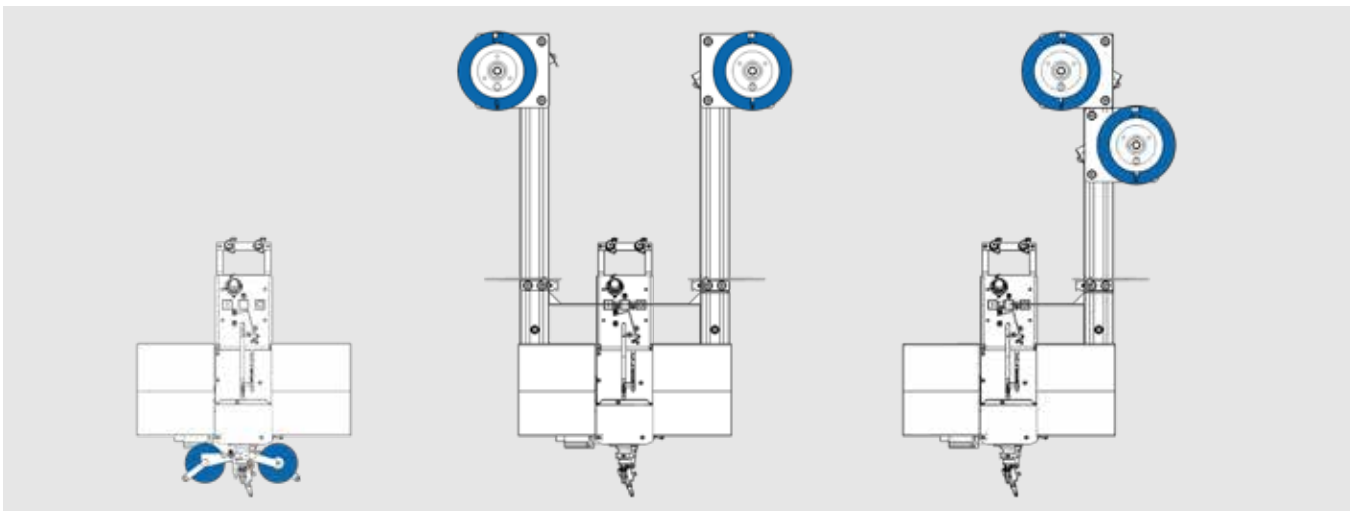


up to 20
components at the same time

Up-Scaling

For mass production of relatively large components, 8-head or 10-head machines have been proven which can place 8 - 10 components at the same time.

For smaller components, machines with up to 20 heads are available.



Wire / Fiber / Cord / Tape Supply

The material can be supplied via one or two bobbins attached to the embroidery head or via cord supply units installed on the sides of the W-Head. If supply units are installed and designs with turns greater than 360° are embroidered, the machine can be equipped with an unique unwinding function for the head. This allows a larger volume of material on the bobbins.

Active feeding

- Active supply unit for tapes, wires or fibers.
- Up to four wire or fiber strands per head can be fed via a rack from behind the machine.
- Portal or pallet rack.
- Optimal access for changing the rolls
- Active take-off

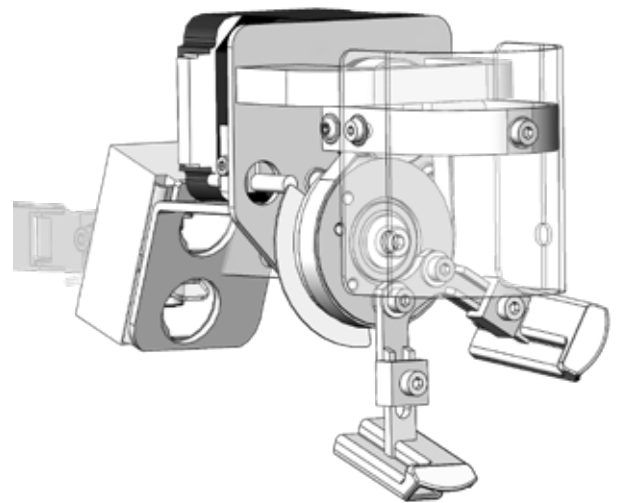


Switching between tapes

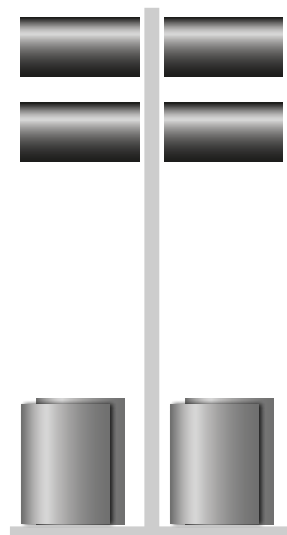
ZSK offers a patented method for automatically switching between 2 tapes, laying them down either independently, either in parallel. This technology is based on the know how from technical embroidery for the laying of fibers.

Feet

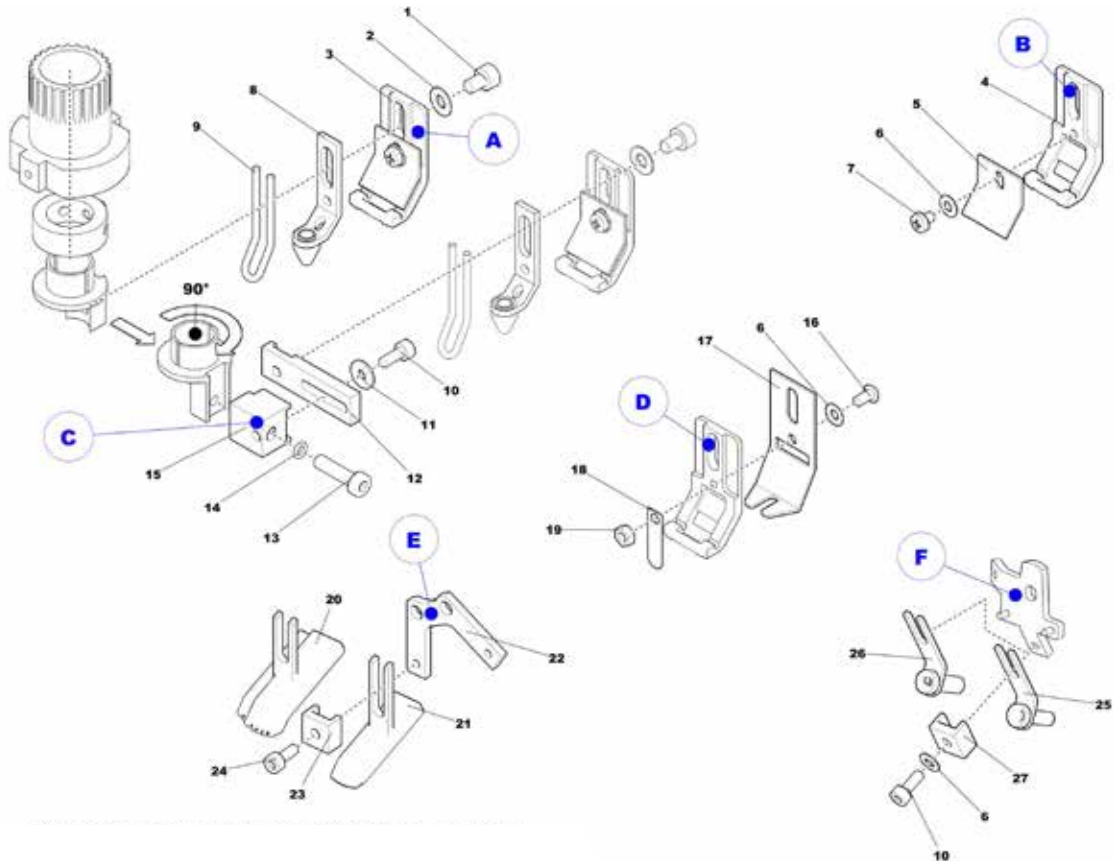
ZSK offers a selection of different feet. In addition to the supplied feet, many more are available as accessories to ensure the perfect placement of the seam on the medium and to allow effect embroidery.



Portal rack



Pallet rack



Pos Pos	Bezeichnung Description	Nr. No.	Nr. 2 No.2
001	● Zyl-Schraube M4 x 6 DIN 912	Z-000-0134	307 009
002	Scheibe B 4,3 DIN 125	Z-000-0355	380 016
(A)	Bändchenfuß kpl. / Tape foot complete		
003	Bändchenfuß kpl. B = 1,5 mm	Z-002-3589	310 023 949
003	Bändchenfuß kpl. B = 2,0 mm	Z-002-3570	310 023 920
003	Bändchenfuß kpl. B = 2,5 mm	Z-002-3571	310 023 921
003	Bändchenfuß kpl. B = 3,0 mm	Z-002-3572	310 023 922
003	Bändchenfuß kpl. B = 3,5 mm	Z-002-3573	310 023 923
003	Bändchenfuß kpl. B = 4,0 mm	Z-002-3574	310 023 924
003	Bändchenfuß kpl. B = 4,5 mm	Z-002-3575	310 023 925
003	Bändchenfuß kpl. B = 5,0 mm	Z-002-3576	310 023 926
003	Bändchenfuß kpl. B = 5,5 mm	Z-002-3577	310 023 927
003	Bändchenfuß kpl. B = 6,0 mm	Z-002-3578	310 023 928
003	Bändchenfuß kpl. B = 7,0 mm	Z-002-3579	310 023 930
003	Bändchenfuß kpl. B = 8,0 mm	Z-002-3580	310 023 932
003	Bändchenfuß kpl. B = 9,0 mm	Z-002-3581	310 023 934
003	Bändchenfuß kpl. B = 10,0 mm	Z-002-3582	310 023 936
003	Bändchenfuß kpl. B = 11,0 mm	Z-002-3583	310 023 938
003	Bändchenfuß kpl. B = 12,0 mm	Z-002-3584	310 023 940
003	Bändchenfuß kpl. B = 13,0 mm	Z-002-3585	310 023 942
003	Bändchenfuß kpl. B = 14,0 mm	Z-002-3586	310 023 944
003	Bändchenfuß kpl. B = 15,0 mm	Z-002-3587	310 023 946
003	Bändchenfuß kpl. B = 16,0 mm	Z-002-3588	310 023 948
(B)	Bändchenfuß / Tape foot		
004	Bändchenfuß B = 1,5 mm	Z-003-1721	990 121 209
004	Bändchenfuß B = 2,0 mm	Z-003-1712	990 121 200
004	Bändchenfuß B = 2,5 mm	Z-003-1713	990 121 201
004	Bändchenfuß B = 3,0 mm	Z-003-1714	990 121 202
004	Bändchenfuß B = 3,5 mm	Z-003-1715	990 121 203

● scope of delivery
 For technical machines, the scope of delivery is adapted to the list of requirements.

Pos Pos	Bezeichnung Description	Nr. No.	Nr. 2 No.2
004	Bändchenfuß B = 4,0 mm	Z-003-1716	990 121 204
004	Bändchenfuß B = 4,5 mm	Z-003-1717	990 121 205
004	Bändchenfuß B = 5,0 mm	Z-003-1718	990 121 206
004	Bändchenfuß B = 5,5 mm	Z-003-1719	990 121 207
004	Bändchenfuß B = 6,0 mm	Z-003-1720	990 121 208
004	Bändchenfuß B = 7,0 mm	Z-003-1722	990 122 201
004	Bändchenfuß B = 8,0 mm	Z-003-1723	990 122 203
004	Bändchenfuß B = 9,0 mm	Z-003-1724	990 122 205
004	Bändchenfuß B = 10,0 mm	Z-003-1725	990 122 207
004	Bändchenfuß B = 11,0 mm	Z-003-1726	990 122 209
004	Bändchenfuß B = 12,0 mm	Z-003-1727	990 122 211
004	Bändchenfuß B = 13,0 mm	Z-003-1728	990 122 213
004	Bändchenfuß B = 14,0 mm	Z-003-1729	990 122 215
004	Bändchenfuß B = 15,0 mm	Z-003-1730	990 122 217
004	Bändchenfuß B = 16,0 mm	Z-003-1731	990 122 219
005	Blattfeder B = 1,5-6,0 mm	Z-000-5430	310 023 220
005	Blattfeder B = 7,0-16,0 mm	Z-000-5432	310 023 222
006	Scheibe B 3,2 DIN 125	Z-000-0352	380 012
007	Linsenschraube M3 x 4 DIN 7985	Z-000-0188	336 025
008	● Stoffdrückerfuß kpl. Wickel	Z-002-3563	310 023 804
009	● Stoffdrückerfuß Zick-Zack	Z-000-5451	310 024 223
Ⓒ	● Seitenstichadapter kpl. / Sideways stitch adapter complete	Z-002-3568	310 023 905
010	Zyl-Schraube M3 x 8 DIN 912	Z-000-0130	307 003
011	Scheibe A 3,2 DIN 9021	Z-000-0353	380 013
012	Schieber	Z-000-5438	310 023 231
013	Zyl-Schraube M4 x 16 DIN 7984	Z-000-5255	308 006
014	O-Ring 3,00-1,00 72 NBR 872	Z-000-0461	510 092
015	Führung	Z-000-5437	310 023 230
Ⓓ	● Raffbändchenvorrichtung kpl. / Frilling device complete	Z-002-3569	310 023 906
016	Linsenschraube M3 x 6 ISO 7380-1	Z-000-5208	306 202
017	Blattfeder	Z-000-5436	310 023 229
018	Blattfeder B=6,0	310023228	310 023 228
019	6kt-Mutter M3 ISO 4032	392013	392 013
Ⓔ	Zick-Zack-Fuß / Carbon / Zigzag foot / Carbon		
020	Fuß 2x25K-Zick/Zack-Carbon	Z-008-6080	310 031 280
021	Fuß 12K-Zick/Zack-Carbon	Z-008-4460	310 031 276
021	Fuß 24K-Zick/Zack-Carbon	Z-008-4461	310 031 277
021	Fuß 48K-Zick/Zack-Carbon	Z-008-4462	310 031 278
022	Hebel-Schwenkplatte	Z-004-0163	310 024 247
023	Klemmstück	Z-000-5660	310 999 515
024	Zyl-Schraube M3 x 8 DIN 912	Z-000-0130	307 003
Ⓕ	Zick-Zack-Fuß / Standard / Zigzag foot / Standard		
025	Fuß kpl. Ø 3,0 mm Paillette	Z-002-3603	310 024 807
026	Fuß kpl. Ø 1,5 mm Zick-Zack	Z-003-2127	310 024 805
026	● Fuß kpl. Ø 2,0 mm Zick-Zack	Z-002-3605	310 024 809
026	Fuß kpl. Ø 2,5 mm Zick-Zack	Z-002-3600	310 024 803
026	● Fuß kpl. Ø 3,0 mm Zick-Zack	Z-002-3602	310 024 806
026	Fuß kpl. Ø 3,5 mm Zick-Zack	Z-002-3601	310 024 804
026	Fuß kpl. Ø 4,2 mm Zick-Zack	Z-002-3604	310 024 808
026	Fuß kpl. Ø 5,0 mm Zick-Zack	Z-002-3606	310 024 810
026	Fuß kpl. Ø 6,0 mm Zick-Zack	Z-002-3607	310 024 811

- scope of delivery

For technical machines, the scope of delivery is adapted to the list of requirements.



ZSK Service and Support

Behind the success of ZSK's embroidery machines is a team with many years of experience.

We do not only sell a machine, we are ready to share our experience with our customer.

Because only the success of our customers ultimately leads to our success.

- **Exchange of knowledge**
- **Training**
- **Prototyping**
- **Production support**



Website



Youtube



Catalogs



ZSK STICKMASCHINEN GMBH

Magdeburger Str. 38-40
47800 Krefeld

Web: www.zsk.de
E-Mail: zsk@zsk.de

